

In-Line Regulator with Factory-Set Outlet Pressure

R13

Description

In-Line pressure regulator with factory-set outlet pressure, reducing from e.g. 10 bar to 5 bar. The regulator R13 is suited for basic pressure control only with an outlet pressure tolerance of ±30%. The outlet pressure stated below is valid for 12 bar inlet pressure. For other inlet pressure please refer to the according item from the diagram.

Benefits

- Higher safety through lower pressure. Tools and equipment protected against pressure damages.
- Cost reduction through substantially reduced air consumption. Longer service life.
- Noise reduction for tools.

Media

compressed air or non-corrosive gases

Supply pressure

max. 15 bar

Adjustment

Select the pressure regulator according to the desired outlet pressure.

Relieving function

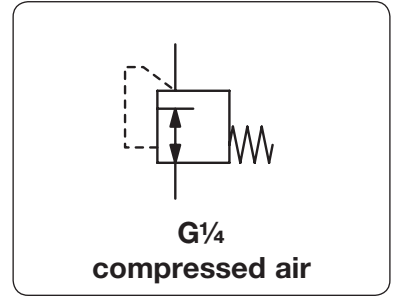
The outlet pressure cannot be subsequently adjusted. This safeguards against tampering.

Temperature range

non-relieving, therefore not recommended for applications such as nailers

Material

0 °C to 60 °C / 32 °F to 140 °F, for appropriately conditioned compressed air down to -30 °C / -22 °F
 Body: brass
 Elastomer: NBR/Buna-N, optionally FKM



Dimensions			Flow rate	Supply pressure	Connection thread	Outlet pressure	Order number
ØA	B	A/F	l/min*1	max. bar	G	bar	
mm	mm	mm					

Basic accuracy regulator				supply pressure max. 15 bar, non-relieving, outlet pressure ±30%, made of brass		R13
17	34	17	300	15	G1/4m/f	2 R13-02D
						3 R13-02E
						4 R13-02F
						5 R13-02G
						6 R13-02H
						7 R13-02I
						8 R13-02K
						10 R13-02M



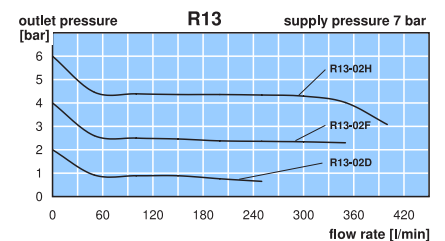
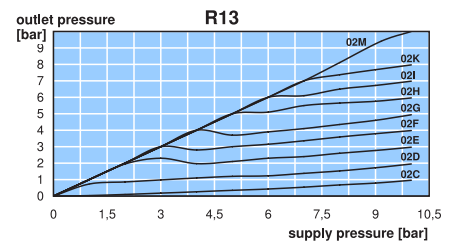
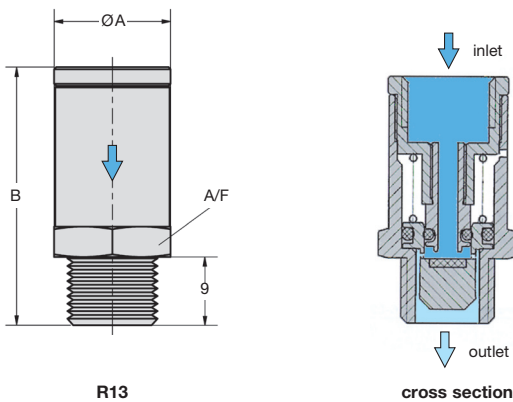
R13

Special options, add the appropriate letter

- FKM elastomer** R13-02 . V
for oxygen specially cleaned, with oxygen grease R13-02 . 15



R13



*1 at 7 bar supply pressure, 6 bar outlet pressure and 2 bar pressure drop

PDF CAD
www.aircom.net

Order example:
R13-02C